

PULSATRON COMPACT[®] ATEX

DUST & DRY SMOKE EXTRACTION

Cartridge filters



The Pulsatron Compact® ATEX® range includes compressed air, self-cleaning, high efficiency cartridge filters that can solve all dry filtration problems.

The polluted air enters the filter passing through a pre-chamber which manages the separation of the coarser particles; the flow then passes through the cartridges depositing the contaminated outside them, while the clean air is discharged from the filter head. An automatic cartridge cleaning system maintains suction capacity, washing it with a puff of compressed air that blows the dust into the specific collection drawer or bin. The high filtering surface of each cartridge allows a small footprint, which allows, compared to traditional bag filters, to install the Pulsatron Compact® ATEX® even near the source of pollution.

Pulsatron Compact® ATEX® cartridge filters have been designed and manufactured to ensure adequate application in ATEX®II 3D T155 qualified environments. The design was carried out using the collaboration of experts in the ATEX® legislation and with the use of cutting-edge design software such as Cosmos Fem and Solid Works3D.

Through the Cosmos program, our technicians have carried out several explosion simulation tests, thanks to which we have been able to intervene on the structural parts, in order to guarantee our high resistance to our Pulsatron Compact® ATEX® cartridge filter.



Optional:

- Electrical panel with Start & Stop
- DP
- Absoluted final filter
- Silencers
- Mechanic shaking system for cleaning cartridges
- Automatic discharging system
- Compact sparks separator
- resettable relief valve
- non-return valve

Advantages

- Efficiency
 - Emissions $\leq 5 \text{ mg/Nm}^{3*}$
- Low noise 68/75 dBA depending on the model
- Limited maintenance, thanks to an efficient compressed air backwash system (Pulse-Jet)
- Modular systems
 - Standard model from 2 to 16 cartridges
 - Standard model from 1000 to 16000 m³/h
- Tailored and customised systems solutions
- Technical support and after-sales service

*Other emissions reachable on request



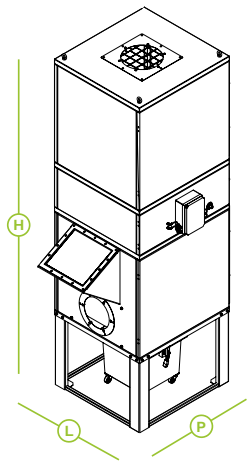


Applications

- Powder coating
- Food manufacturing
- Aluminium/zinc manufacturing
- Chemical manufacturing
- Pharmaceutical manufacturing
- Coal

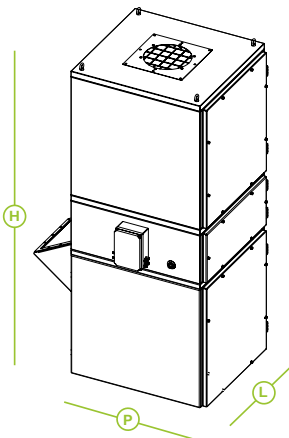
Technical Specifications

PULSATRON COMPACT® TV Series [with fan]



	AIRFLOW	STATIC PRESSURE	INSTALLED POWER	FILTERING SURFACE	FILTRATION VELOCITY	CONNECTIONS [mm]		DIMENSIONS [mm]		
HF Code	[m³/h]	[Pa]	[Kw]	[m²]	[m/s]	In	Out	L	P	H
PCEX02TVH	1000-1500	2000-1750	1.5	20	0.020	Ø200	Ø300	900	1350	2815
PCEX04TVH	1500-2500	2700-2100	3	40	0.017	Ø250	Ø300	900	1350	2815
PCEX04TVQ	4000-5000	2100-1800	4	40	0.035	Ø300	Ø300	900	1350	2815
PCEX08TV	6000-7000	2000-1650	5.5	80	0.024	2 x Ø300	405 x 362	1850	1350	2425
PCEX08TVS	7000-8000	2800-2650	7.5	80	0.028	2 x Ø300	405 x 362	1850	1350	2425
PCEX12TV	8000-9000	2650-2150	7.5	120	0.020	3 x Ø300	405 x 362	2600	1350	2425
PCEX16TV	9000-11000	2450-2200	2x5.5	160	0.019	4 x Ø300	2 x (405 x 362)	3400	1350	2425
PCEX16TVS	11000-14000	3050-2800	2x7.5	160	0.024	4 x Ø300	2 x (405 x 362)	3400	1350	2425

PULSATRON COMPACT® SV Series [with fan]



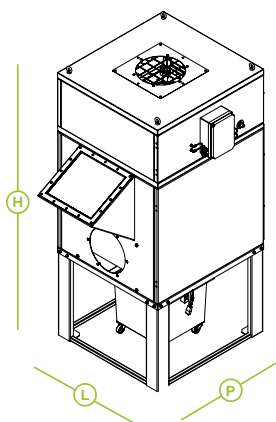
	AIRFLOW	STATIC PRESSURE	INSTALLED POWER	FILTERING SURFACE	FILTRATION VELOCITY	CONNECTIONS [mm]		DIMENSIONS [mm]		
HF Code	[m³/h]	[Pa]	[Kw]	[m²]	[m/s]	In	Out	L	P	H
PCEX02SVH	1000-1500	2000-1750	1.5	20	0.020	Ø200	Ø300	900	1350	2175
PCEX04SVH	1500-2500	2700-2100	3	40	0.017	Ø250	Ø300	900	1350	2175
PCEX04SVQ	4000-5000	2100-1800	4	40	0.035	Ø300	Ø300	900	1350	2175
PCEX08SV	6000-7000	2000-1650	5.5	80	0.024	2 x Ø300	405 x 362	1850	1350	1785
PCEX08SVS	7000-8000	2800-2650	7.5	80	0.028	2 x Ø300	405 x 362	1850	1350	1785
PCEX12SV	8000-9000	2650-2150	7.5	120	0.020	3 x Ø300	405 x 362	2600	1350	1785
PCEX16SV	9000-11000	2450-2200	2x5.5	160	0.019	4 x Ø300	2 x (405 x 362)	3400	1350	1785
PCEX16SVS	11000-14000	3050-2800	2x7.5	160	0.024	4 x Ø300	2 x (405 x 362)	3400	1350	1785



Technical Specifications

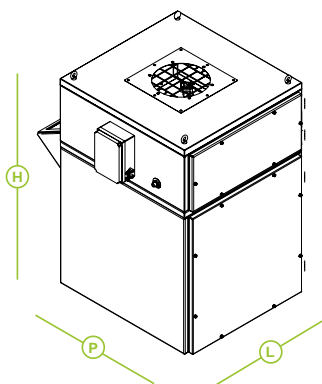
PULSATRON COMPACT® TS Series [without fan]

HF Code	AIRFLOW	FILTERING SURFACE	CONNECTIONS [mm]		DIMENSIONS [mm]		
	[m³/h]	[m²]	In	Out	L	P	H
PCEX02TS	1000-2000	20	Ø200	Ø300	900	1350	1925
PCEX04TS	2000-4000	40	Ø300	Ø300	900	1350	1925
PCEX08TS	4000-6000	80	2xØ300	2x(350x350)	1850	1350	1925
PCEX12TS	6000-12000	120	3xØ300	3x(350x350)	2600	1350	1925
PCEX16TS	8000-16000	160	4xØ300	4x(350x350)	3400	1350	1925



PULSATRON COMPACT® SS Series [without fan]

HF Code	AIRFLOW	FILTERING SURFACE	CONNECTIONS [mm]		DIMENSIONS [mm]		
	[m³/h]	[m²]	In	Out	L	P	H
PCEX02SS	1000-2000	20	Ø200	Ø300	900	1350	1400
PCEX04SS	2000-4000	40	Ø300	Ø300	900	1350	1400
PCEX08SS	4000-6000	80	2xØ300	2x(350x350)	1850	1350	1400
PCEX12SS	6000-12000	120	3xØ300	3x(350x350)	2600	1350	1400
PCEX16SS	8000-16000	160	4xØ300	4x(350x350)	3400	1350	1400



- 1 Inlet flange
- 2 Prechamber
- 3 Cartridges
- 4 Sequencer for air compressed cartridges cleaning
- 5 Air tank and pneumatic valves
- 6 Centrifugal fan
- 7 Outlet flange
- 8 Fan maintenance door
- 9 Pneumatic valves maintenance door
- 10 Cartridges maintenance door
- 11 Hopper
- 12 Waste bin
- 13 Legs
- 14 Relief panel

Extraction range



CleanMist
Oil mist centrifugal filters



Mist compact
Oil mist filters



MCOS
Coalescent filters



Dust & dry smoke
Extraction filter range



Whether it is increasing profitability, quality and efficiency with world leading cutting fluid and management solutions, speeding up maintenance with our industrial vacuums, or improving the working environment and health and safety with mist and dry smoke extraction, Jemtech has the solution to significantly improve your workshop environment and production, saving you time and money in the process.



Contact us today



+44 (0)1825 767640

sales@jemtech.co.uk

Jemtech (UK) Ltd, Ashdown Business Park,
Maresfield, East Sussex TN22 2DU