



PULSATRON COMPACT®

DUST & DRY SMOKE EXTRACTION

Cartridge filter

The Pulsatron Compact® range includes compressed air, self-cleaning, high efficiency cartridge filters that can solve all dry filtration problems.

Polluted air goes into the filter through a pre-chamber that manages the separation of coarse particles; the air flow then goes through the cartridge, depositing the contaminant outside of it, while clean air is discharged from the filter head.

An automatic cartridge cleaning system maintains suction capacity, washing it with a puff of compressed air that blows the dust into the specific collection drawer or bin.

The limited dimensions and minimal noise of the filter mean it can be installed even inside departments near the source of pollution.



Mechanic shaking system for cleaning cartridges



Optional:

- Electrical panel with start & stop or variable frequency drive
- Absolute final filter
- Silencers
- DP led
- Mechanic shaking system for cleaning cartridges
- Automatic discharging system
- Sparks pre-separator




Advantages

- Efficiency
 - Emissions $\leq 5 \text{ mg/Nm}^3$ *
- Low noise 68/75 dBA depending on the model
- Limited maintenance, thanks to an efficient compressed air backwash system (Pulse-Jet)
- Modular systems
 - Standard model from 2 to 24 cartridges
 - Standard model from 1000 to 48000 m³/h
- Tailored and customised systems solutions
- Technical support and after-sales service

*Other emissions reachable on request

DP-LED Cyclic Timer with integrated DP control

Installed on the filter is a 3-colour LED strip of green, yellow and red. The strip is mounted on the front of the filter and allows the operator to have a clear view of the clogging state of the cartridges.

-  **GREEN LED** - Normal operating status
-  **YELLOW LED** - Pre-alarm status
-  **RED LED** - Status of clogged cartridges



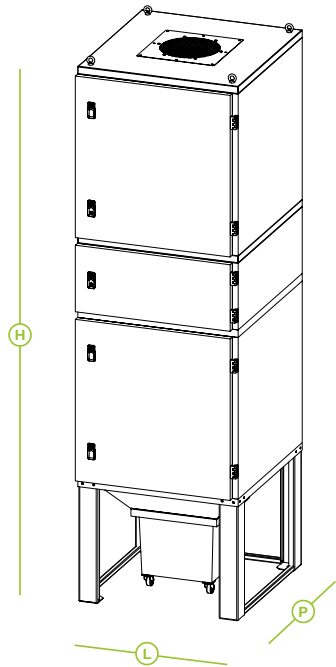


Applications

- Sandblasting
- Sanding
- Deburring
- Grinding
- Cement
- Laser cutting
- Plasma cutting
- Silo venting filters
- Polishing
- Blasting
- Metal cleaning
- Epoxy painting
- Welding smokes
- Chemical processing
- Pharmaceutical manufacturing
- Plastic material manufacturing
- Dusty material handling
- Dry processing on tool machines

Technical Specifications

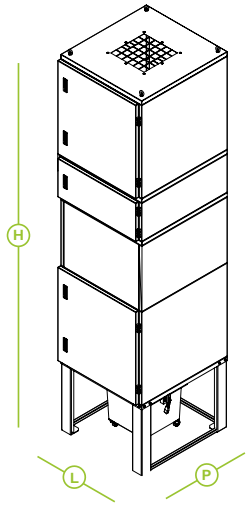
PULSATRON COMPACT® TV Series [with fan]



HF Code	AIRFLOW	STATIC PRESSURE	INSTALLED POWER	FILTERING SURFACE	FILTRATION VELOCITY	CONNECTIONS [mm]		DIMENSIONS [mm]		
	[m³/h]	[Pa]	[Kw]	[m²]	[m/s]	In	Out	L	P	H
PC02TVH	1000 - 1500	2000-1750	1.5	20	0.020	Ø160	Ø300	850	930	2815
PC02TVQ*	1500 - 2000	1750-1490	1.5	20	0.028	Ø200	Ø300	850	930	2815
PC04TVH	1500 - 2000	2700-2100	3	40	0.017	Ø250	Ø300	850	930	2815
PC04TVXH*	2000 - 4000	3200-2100	4	40	0.028	Ø250	Ø300	850	930	2815
PC04TVQ	4000 - 5000	2100-1800	4	40	0.035	Ø300	Ø300	850	930	2815
PC04TVXQ*	5000 - 5800	1800-1500	4	80	0.020	Ø320	Ø300	850	930	2815
PC08TV	6000 - 7000	2000-1650	5.5	80	0.024	2 x Ø250	405 x 362	1700	930	2425
PC08TVS	7000 - 8000	2800-2650	7.5	80	0.028	2 x Ø250	405 x 362	1700	930	2425
PC12TV	8000 - 9000	2650-2150	7.5	120	0.020	3 x Ø250	405 x 362	2550	930	2425
PC16TV	9000 - 11000	2450-2200	2 x 5.5	160	0.019	4 x Ø250	2 x (405 x 362)	3400	930	2425
PC16TVS	11000 - 14000	3050-2800	2 x 7.5	160	0.024	4 x Ø250	2 x (405 x 362)	3400	930	2425

*New Models

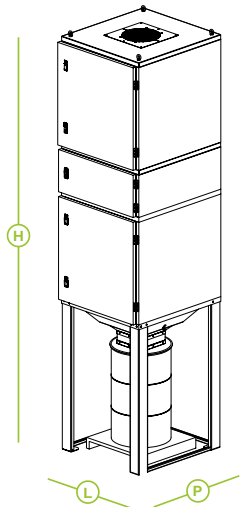
PULSATRON COMPACT® XL Series [with fan]



HF Code	AIRFLOW	STATIC PRESSURE	INSTALLED POWER	FILTERING SURFACE	FILTRATION VELOCITY	CONNECTIONS [mm]		DIMENSIONS [mm]		
	[m³/h]	[Pa]	[Kw]	[m²]	[m/s]	In	Out	L	P	H
PC04TVHXL	1500 - 2500	2700 - 2100	3	80	0.009	Ø250	Ø300	850	930	3415
PC04TVXHXL*	2000 - 4000	3200 - 2100	4	80	0.014	Ø250	Ø300	850	930	3415
PC04TVQXL	4000 - 5000	2100 - 1800	4	80	0.017	Ø300	Ø300	850	930	3415
PC04TVXQXL*	5000 - 5800	1800 - 1500	4	160	0.010	Ø320	Ø300	850	930	3415
PC08TVXL	6000 - 7000	2000 - 1650	5.5	160	0.012	2 x Ø250	405 x 362	1700	930	3025
PC08TVSXL	7000 - 8000	2800 - 2650	7.5	160	0.014	2 x Ø250	405 x 362	1700	930	3025
PC12TVXL	8000 - 9000	2650 - 2150	7.5	240	0.011	3 x Ø250	405 x 362	2550	930	3025
PC16TVXL	9000 - 11000	2450 - 2200	2 x 5.5	320	0.010	4 x Ø250	2 x (405 x 362)	3400	930	3025
PC16TVSXL	11000 - 14000	3050 - 2800	2 x 7.5	320	0.012	4 x Ø250	2 x (405 x 362)	3400	930	3025

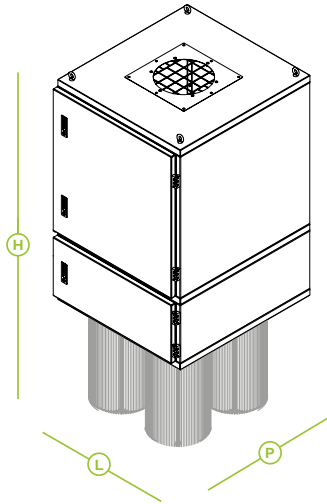
*New Models

PULSATRON COMPACT® HV Series [with fan]



HF Code	AIRFLOW	STATIC PRESSURE	INSTALLED POWER	FILTERING SURFACE	FILTRATION VELOCITY	CONNECTIONS [mm]		DIMENSIONS [mm]		
	[m³/h]	[Pa]	[Kw]	[m²]	[m/s]	In	Out	L	P	H
PC04HVH	1500 - 2500	2700 - 2100	3	40	0.017	Ø250	Ø300	850	930	3420
PC04HVXH*	2000 - 4000	3200 - 2100	4	40	0.028	Ø250	Ø300	850	930	3420
PC04HVQ	4000 - 5000	2100 - 1800	4	40	0.035	Ø300	Ø300	850	930	3420
PC04HVXQ*	5000 - 5800	1800 - 1500	4	80	0.020	Ø320	Ø300	850	930	3420
PC08HV	6000 - 7000	2000 - 1650	5.5	80	0.024	2 x Ø250	405 x 362	1700	930	3025
PC08HVS	7000 - 8000	2800 - 2650	7.5	80	0.028	2 x Ø250	405 x 362	1700	930	3025
PC12HV	8000 - 9000	2650 - 2150	7.5	120	0.020	3 x Ø250	405 x 362	2550	930	3025
PC16HV	9000 - 11000	2450 - 2200	2 x 5.5	160	0.019	4 x Ø250	2 x (405 x 362)	3400	930	3025
PC16HVS	11000 - 14000	3050 - 2800	2 x 7.5	160	0.024	4 x Ø250	2 x (405 x 362)	3400	930	3025

*New Models

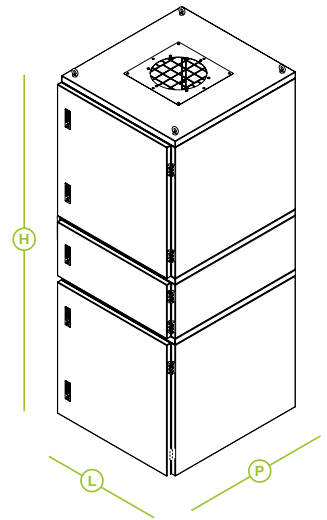


PULSATRON COMPACT® NV Series [with fan]

	AIRFLOW	STATIC PRESSURE	INSTALLED POWER	FILTERING SURFACE	FILTRATION VELOCITY	CONNECTIONS [mm]	DIMENSIONS [mm]		
HF Code	[m³/h]	[Pa]	[Kw]	[m²]	[m/s]	Out	L	P	H
PC04NVH*	1500 - 2500	2700 - 2100	3	40	0.017	Ø300	850	930	1970
PC04NVXH*	2000 - 4000	3200 - 2100	4	40	0.027	Ø300	850	930	1970
PC04NVQ*	4000 - 5000	2100 - 1800	4	80	0.017	Ø300	850	930	1970
PC08NV	5000 - 5800	2000 - 1650	5.5	80	0.024	405 x 362	1700	930	1510
PC12NV	6000 - 7000	2650 - 2150	7.5	120	0.020	405 x 362	2550	930	1510
PC16NV	7000 - 8000	2450 - 2200	2 x 5.5	160	0.019	2 x (405 x 362)	3400	930	1510

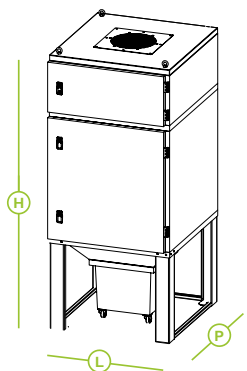
*New Models

PULSATRON COMPACT® SV Series [with fan]



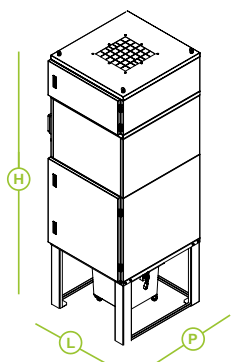
	AIRFLOW	STATIC PRESSURE	INSTALLED POWER	FILTERING SURFACE	FILTRATION VELOCITY	CONNECTIONS [mm]	DIMENSIONS [mm]		
HF Code	[m³/h]	[Pa]	[Kw]	[m²]	[m/s]	Out	L	P	H
PC02SVH	1000 - 1500	2000 - 1750	1.5	20	0.020	Ø300	850	930	2175
PC02SVQ*	1500 - 2000	1750 - 1490	1.5	20	0.028	Ø300	850	930	2175
PC04SVH	1500 - 2500	2700 - 2100	3	40	0.017	Ø300	850	930	2175
PC04SVXH*	2000 - 4000	3200 - 2100	4	40	0.028	Ø300	850	930	2175
PC04SVQ*	4000 - 5000	2100 - 1800	4	40	0.035	Ø300	850	930	2175
PC04SVXQ*	5000 - 5800	1800 - 1500	4	80	0.020	Ø300	850	930	2175
PC08SV	6000 - 7000	2000 - 1650	5.5	80	0.024	405 x 362	1700	930	1785
PC08SVS*	7000 - 8000	000 - 1650	7.5	80	0.028	405 x 362	1700	930	1785
PC12SV	8000 - 9000	2650 - 2150	7.5	120	0.020	405 x 362	2550	930	1785
PC16SV	9000 - 11000	2450 - 2200	2 x 5.5	160	0.019	2 x (405 x 362)	3400	930	1785
PC16SVS*	11000 - 14000	3050 - 2800	2 x 5.5	160	0.024	2 x (405 x 362)	3400	930	1785

*New Models



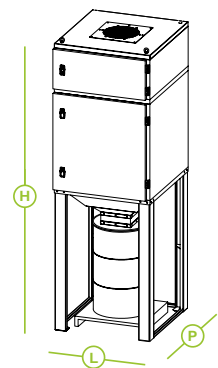
PULSATRON COMPACT® TS Series [without fan]

	AIRFLOW	FILTERING SURFACE	CONNECTIONS [mm]		DIMENSIONS [mm]		
HF Code	[m³/h]	[m²]	In	Out	L	P	H
PC02TS	1000 - 2000	20	Ø200	Ø300	850	930	1925
PC04TS	2000 - 4000	40	Ø300	Ø300	850	930	1925
PC08TS	4000 - 6000	80	2 x Ø250	2 x Ø300	1700	930	1925
PC12TS	6000 - 12000	120	3 x Ø250	3 x Ø300	2550	930	1925
PC16TS	8000 - 16000	160	4 x Ø250	4 x Ø300	3400	930	1925



PULSATRON COMPACT® TS Series [without fan]

	AIRFLOW	FILTERING SURFACE	CONNECTIONS [mm]		DIMENSIONS [mm]		
HF Code	[m³/h]	[m²]	In	Out	L	P	H
PC04TSXL	4000 - 8000	80	350 x 350	350 x 350	850	930	2525
PC08TSXL	8000 - 16000	160	2 x (350 x 350)	2 x (350 x 350)	1700	930	2525
PC12TSXL	12000 - 24000	240	3 x (350 x 350)	3 x (350 x 350)	2550	930	2525
PC16TSXL	16000 - 32000	320	4 x (350 x 350)	4 x (350 x 350)	3400	930	2525
PC20TSXL	20000 - 40000	400	5 x (350 x 350)	5 x (350 x 350)	4250	930	2525
PC24TSXL	24000 - 48000	480	6 x (350 x 350)	6 x (350 x 350)	5100	930	2525

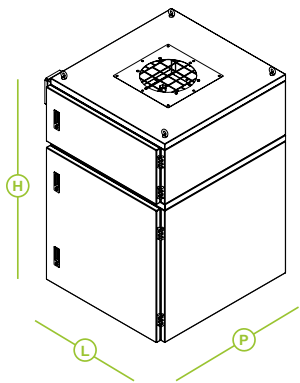


PULSATRON COMPACT® HS Series [without fan]

	AIRFLOW	FILTERING SURFACE	CONNECTIONS [mm]		DIMENSIONS [mm]		
HF Code	[m³/h]	[m²]	In	Out	L	P	H
PC04HS	2000 - 4000	40	Ø300	Ø300	850	930	2530
PC08HS	4000 - 8000	80	2 x Ø250	2 x Ø300	1700	930	2530
PC12HS	6000 - 12000	120	3 x Ø250	3 x Ø300	2550	930	2530
PC16HS	8000 - 16000	160	4 x Ø250	4 x Ø300	3400	930	2530
PC20HS	10000 - 20000	200	5 x Ø250	5 x Ø300	4300	930	2530

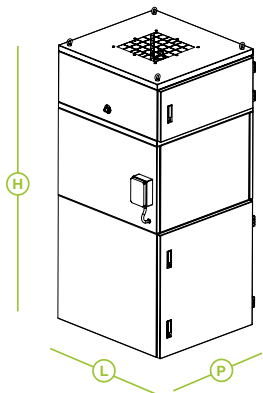


PULSATRON COMPACT® SS Series [without fan]



HF Code	AIRFLOW	FILTERING SURFACE	CONNECTIONS	DIMENSIONS [mm]		
	[m³/h]	[m²]	[mm] Out	L	P	H
PC02SS	1000 - 2000	20	Ø300	850	930	1280
PC04SS	2000 - 4000	40	Ø300	850	930	1280
PC08SS	4000 - 8000	80	2 x Ø300	1700	930	1280
PC12SS	6000 - 12000	120	3 x Ø300	2550	930	1280
PC16SS	8000 - 16000	160	4 x Ø300	3400	930	1280
PC20SS	10000 - 20000	200	5 x Ø300	4250	930	1280
PC24SS	12000 - 24000	240	6 x Ø300	5100	930	1280

PULSATRON COMPACT® SS XL Series [without fan]



HF Code	AIRFLOW	FILTERING SURFACE	CONNECTIONS	DIMENSIONS [mm]		
	[m³/h]	[m²]	[mm] Out	L	P	H
PC04SSXL	4000 - 8000	80	350 x 350	850	930	1880
PC08SSXL	8000 - 16000	160	2 x (350 x 350)	1700	930	1880
PC12SSXL	12000 - 24000	240	3 x (350 x 350)	2550	930	1880
PC16SSXL	16000 - 32000	320	4 x (350 x 350)	3400	930	1880
PC20SSXL	20000 - 40000	400	5 x (350 x 350)	4250	930	1880
PC24SSXL	24000 - 48000	480	6 x (350 x 350)	5100	930	1880



- 1 Inlet flange
- 2 Prechamber
- 3 Cartridges
- 4 Sequencer for compressed air cartridges cleaning
- 5 Air tank and electrovalves
- 6 Centrifugal fan
- 7 Outlet flange
- 8 Fan maintenance door
- 9 Electrovalves maintenance door
- 10 Cartridges maintenance door
- 11 Hopper
- 12 Waste bin
- 13 Legs

Extraction range



CleanMist
Oil mist centrifugal filters



Mist compact
Oil mist filters



MCOS
Coalescent filters



Dust & dry smoke
Extraction filter range



Whether it is increasing profitability, quality and efficiency with world leading cutting fluid and management solutions, speeding up maintenance with our industrial vacuums, or improving the working environment and health and safety with mist and dry smoke extraction, Jemtech has the solution to significantly improve your workshop environment and production, saving you time and money in the process.



Contact us today



+44 (0)1825 767640

sales@jemtech.co.uk

Jemtech (UK) Ltd, Ashdown Business Park,
Maresfield, East Sussex TN22 2DU